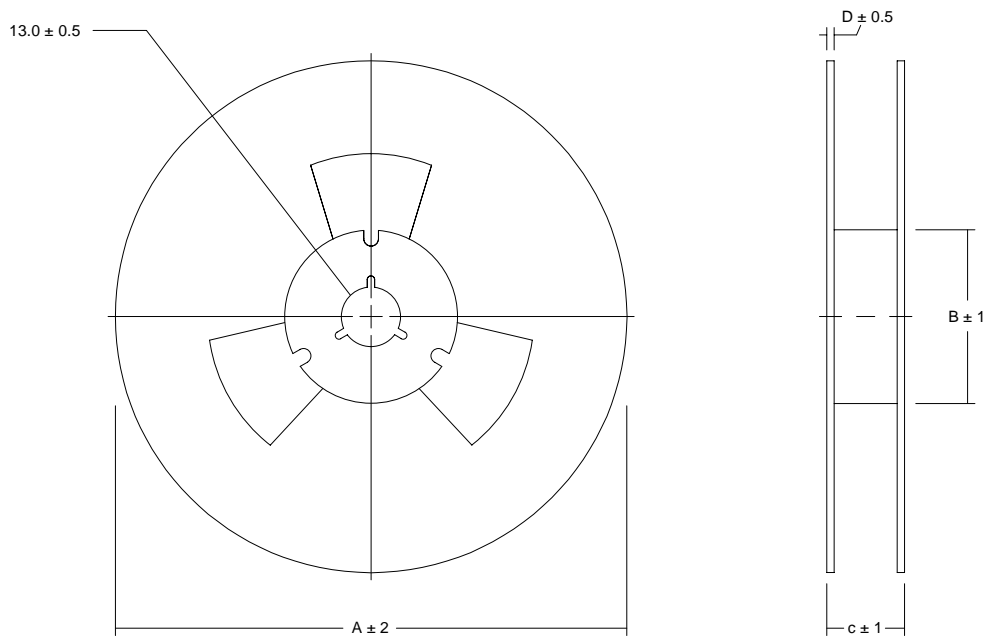


General Reel Dimensions

Reel Dimensions



(Not to scale)

Dimensions in mm

Series	A	B	C	D	Quantity / Reel
BF-SB100505	178	60	10	2	10000
BF-SB160808	178	60	10	2	4000
BF-SB201209	178	60	10	2	4000
BF-SB321611	178	60	10	2	3000
BF-SB321616	178	60	10	2	2000
BF-SB322513	178	60	10	2	2500
BF-SB451616	178	60	14	2	2000
BF-SB453215	178	60	14	2	1000
BF-LC100505	178	60	10	2	10000
BF-LC160808	178	60	10	2	4000
BF-LC201209	178	60	10	2	4000
BF-LC321611	178	60	10	2	3000
BF-LC451616	178	60	14	2	2000
BF-LC453215	178	60	14	2	1000
BF-NB100505	178	60	10	2	10000
BF-NB160808	178	60	10	2	4000
BF-NB201209	178	60	10	2	4000
BF-NB321611	178	60	10	2	3000
LSML-160808	178	60	10	2	4000
LSML-201209	178	60	10	2	4000
LSML-201212	178	60	10	2	3000
LSML-321611	178	60	10	2	3000
LSML-322513	178	60	10	2	2500
LSWM-322522	178	60	10	2	2000
LSWM-453232	250	80	14	2	500
PSTD-1109	330	75	26	2.4	400
PSSL-0402	330	75	26	2.4	700
PSSL-0802	330	75	26	2.4	700
PSSL-0804	330	75	26	2.4	700
PSSL-0810	330	75	26	2.4	700
PSSL-1306	330	75	26	2.4	700
PSDS-0402	178	60	14	16.4	2000
PSDT-0402	178	60	14	16.4	2000
PSDT-0804	178	60	26	28.4	700

Please contact Flexcom for complete specifications and options on all unlisted products.

Specifications subject to change without notice. Rev. 10/00

TEL 949-366-8700

FAX 949-366-8707

WEB www.caliberelectronics.com