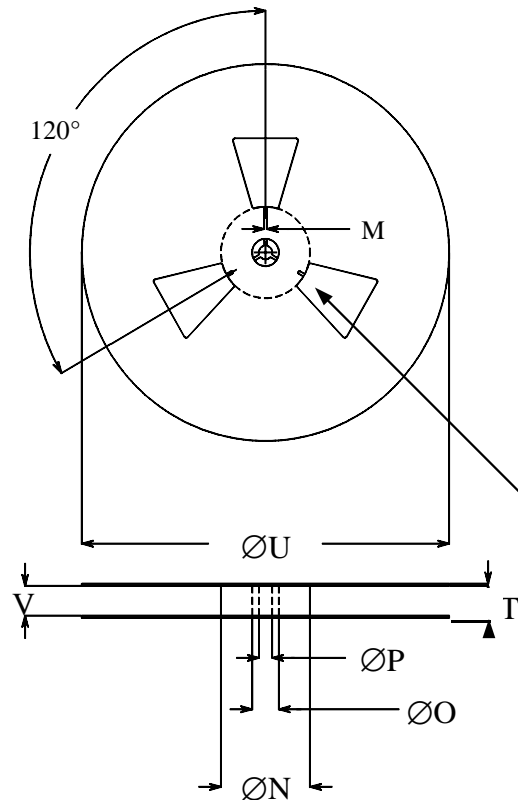
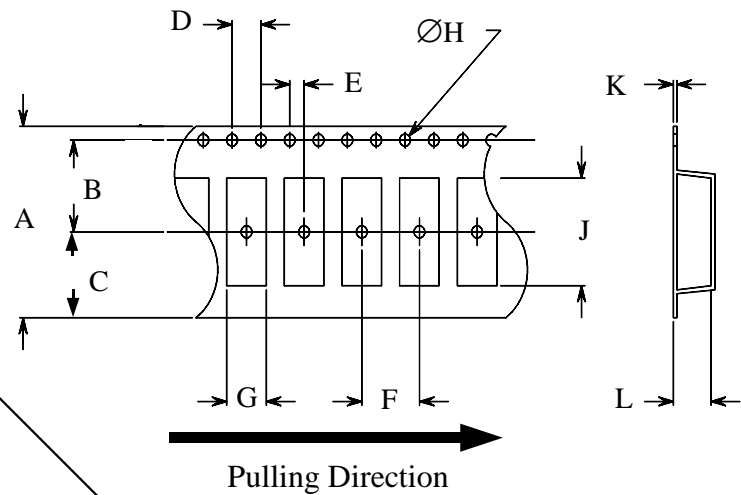


Tape and Reel Specification

OC, OC-3.3, OC-35 & OEH Series SMD Oscillators



All dimensions are in millimeters
Meets EIA-481A-2 and EIAJ-1009B



R: Width of Tape Slot
S: Depth of Tape Slot.
(Tape Slot in Core for Tape Start.)

* REEL SPECIFICATIONS *

Series	A	B	C	D	E	F	G	H	J	K	L
OC and OC-3.3 Series	16+3-.1	7.5±.1	6.75±.1	4±.14	2±.1	8±.1	5.56±.1	1.5±.1	8.18±.1	.315 ±.01	2.18±.1
OEH Series	24±.3	11.5±.1	10.75 ±.1	4±.2	2±.1	12±.1	11±.5	1.5±.1	15±.5	.3±.01	5±.1
OC-35 Series	12.0±.2	5.5±.1	6.5±.1	4.0±.1	2.0±.1	8.0±.1	IEA 481A	1.5+.1-0	EIA 481A	.30±.05	EIA 481A

* REEL SPECIFICATIONS *

Series	M	N	O	P	Q	R	S	T	U	V	Qty / Reel
OC and OC-3.3	1.5 min	50 min	20.2 min	13±.2	40 min	2.5 min	10 min	22.4 max.	360 max.	16.4±.2	1000
OEH	1.5 min	50 min	20.2 min	13±.2	40 min	2.5 min	10 min	30.4 max.	360 max.	24.4±.2	1000
OC-35 Series	1.5 min	50 min	20.2 min	13±.2	40 min	2.5 min	10 min	18.4 max.	180 max.	12.4+2-0	1000